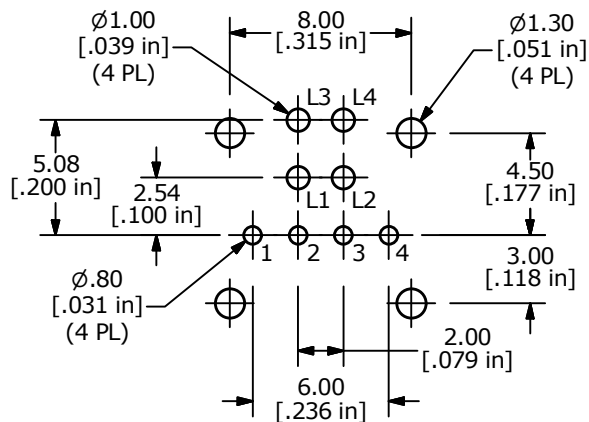
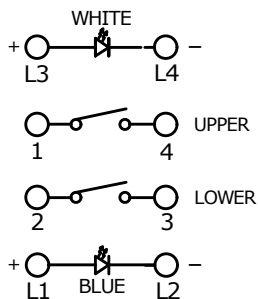


LED SPECS	UNITS	WHITE	BLUE
FORWARD CURRENT	mA	20	20
FORWARD VOLATGE	V	3.3 TYP - 4.0 MAX	3.3 TYP - 4.0 MAX
LUMINOUS INTENSITY 20mA	mcd	650 TYP	1000 TYP

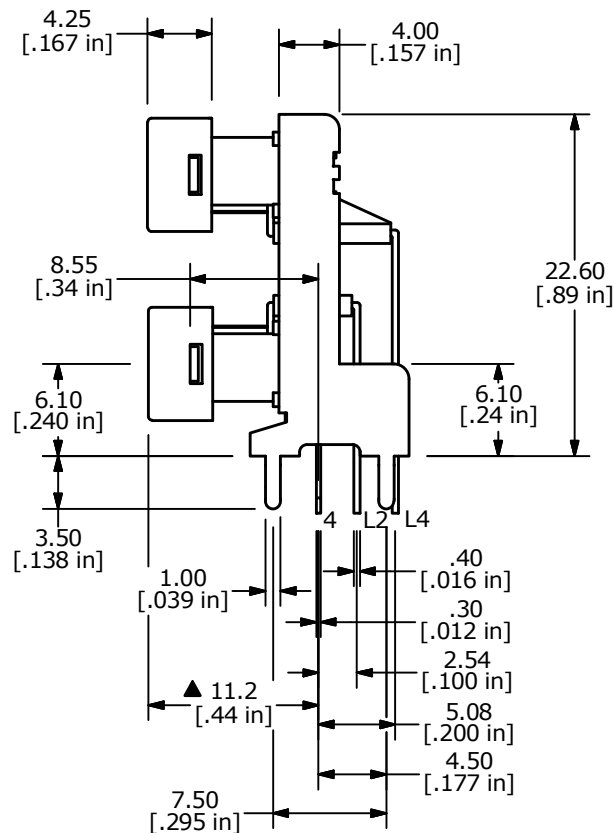
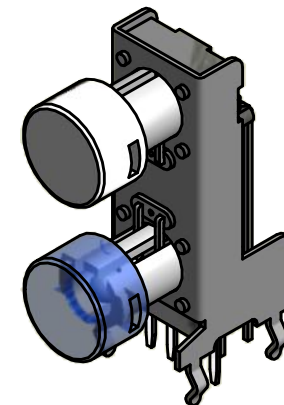
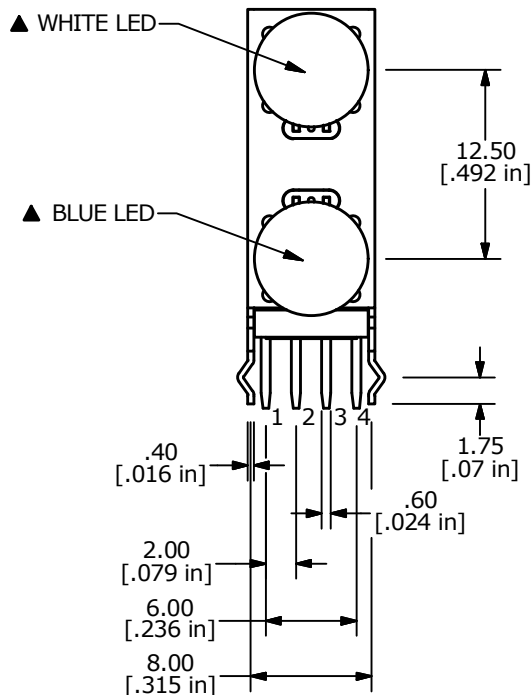
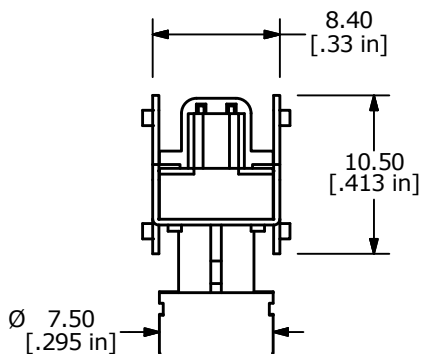


RECOMMENDED PCB LAYOUT



▲ CIRCUIT DIAGRAM

- NOTES:
1. ALL DIMENSIONS IN MM
  2. GENERAL TOLERANCE: X.X = ±0.4  
X.XX = ±0.25
  3. TERM. NOS. FOR REFERENCE ONLY.
  4. CONTACT RATING: 50mA @12VDC
  5. TRAVEL: 0.25 ±0.1mm
  6. CONTACT RESISTANCE: 100 Milli-Ohms Max.
  7. OPERATING FORCE: 160 ± 50gf
  - ▲ 8. CONTACT MATERIAL: SILVER
  9. MECHANICAL LIFE: 500,000 CYCLES
  10. OPERATING TEMP: -40°C to 85°C
  11. ▲ DENOTES CRITICAL PARAMETER.
  - ▲ 12. PACKAGE: TRAY/ 84 PIECES PER
  13. 2011/65/EU (ROHS) COMPLIANT



A	22743	RELEASE FOR PRODUCTION	3/13/17	MW
REV	PCR NO	DESCRIPTION	DATE	BY

TITLE TL3253BWBBBBF160Q				
SCALE	DATE	DR	DWG	REV
2:1	3/8/2017	MW	B060017	A

THE INFORMATION CONTAINED IN THIS DOCUMENT IS PROPRIETARY TO E-SWITCH AND IS NOT TO BE COPIED OR TRANSFERRED